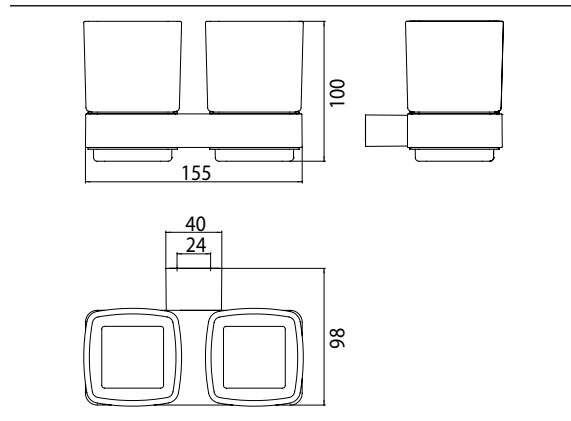


PRODUCT INFORMATION

Double glass holder, satin crystal chrome



Art.No.0525 001 00

wall mounted