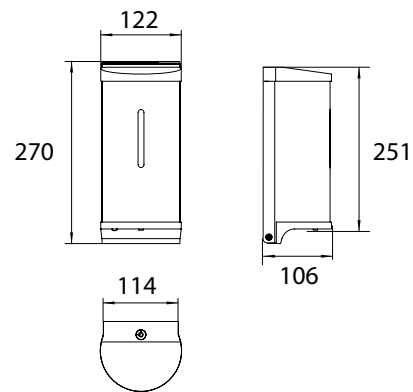


PRODUCT INFORMATION

Sensor-dispenser for liquid soap/disinfectants gel stainless steel



Art.No.3521 001 06

wall mounted